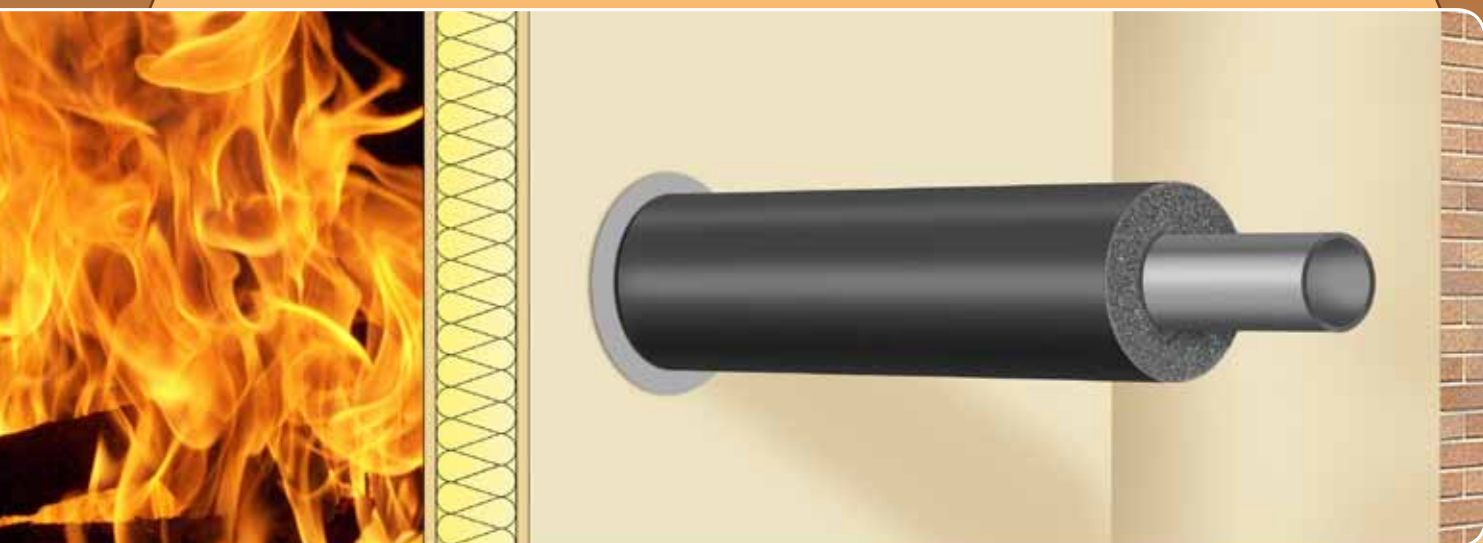


# K-FLEX R90

## FIRE PROTECTION



### ADVANTAGES:

- R90 for heating, plumbing and refrigeration lines
- R90 with zero-gap in lightweight construction walls
- R90 for combustible pipes
- Available up to DN 300
- R90 for walls starting from wall thicknesses  $\geq 100$  mm
- Flexible, closed cellular isolation
- Easy to install
- Fire protection without additional measures & costs
- Simple connection to further isolation



**L'ISOLANTE K-FLEX**

[www.kflex.com](http://www.kflex.com)

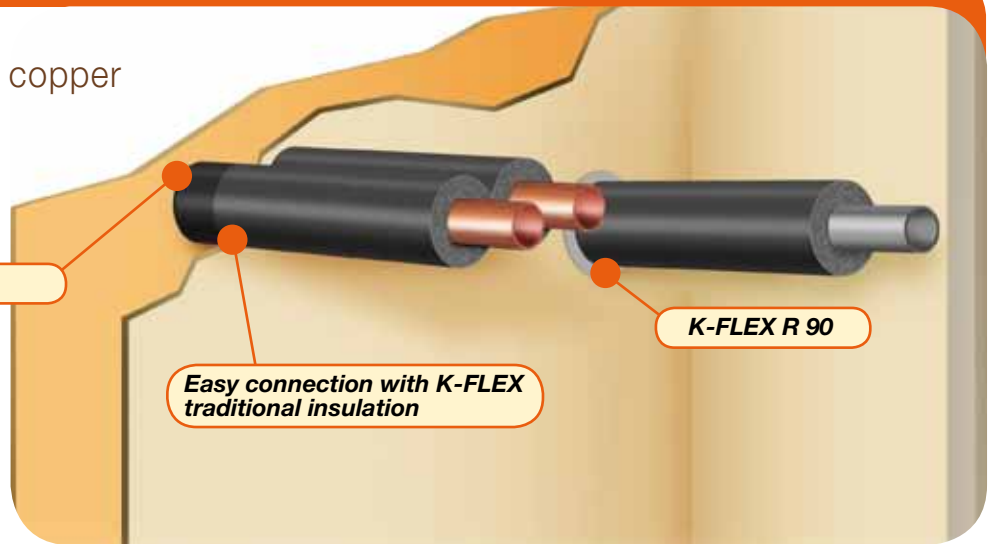
## **K-FLEX R90**

Fire Stop for iron, steel, copper and plastics pipes (PVC, PE, etc.).

**K-FLEX R 90**

**Easy connection with K-FLEX traditional insulation**

**K-FLEX R 90**



## **Fire Resistant R90 (DIN 4102-11)**

**K-FLEX R90**  
Fire protection

**Copper pipes up to above  $\varnothing$  89 mm**



**Steel, stainless steel and iron pipes up to above  $\varnothing$  323 mm**



**combustible pipes (PVC, PE, HDPE, PP, PVC) up to above  $\varnothing$  75 mm**



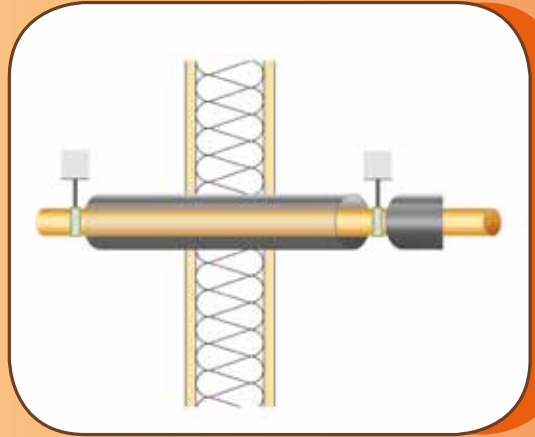
# K-FLEX R90

## Fire protection

### Schematic representation for wall and ceiling implementation

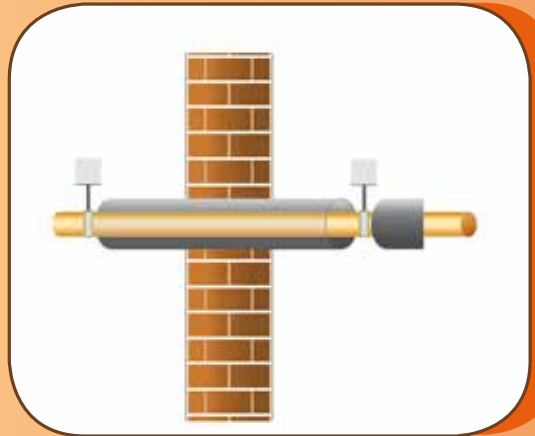
#### Lightweight Wall

Example of K-FLEX R90 application in lightweight walls and dividers.



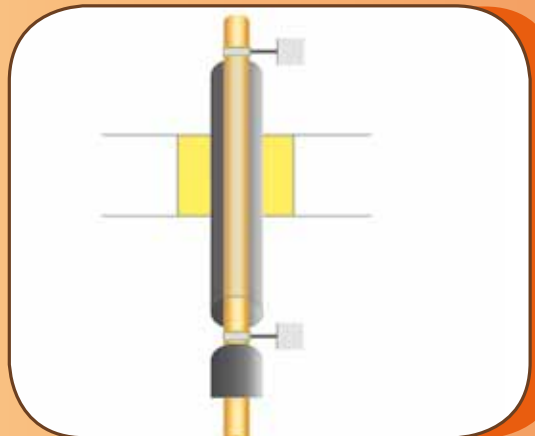
#### Massive wall

Example of K-FLEX R90 application in massive walls.



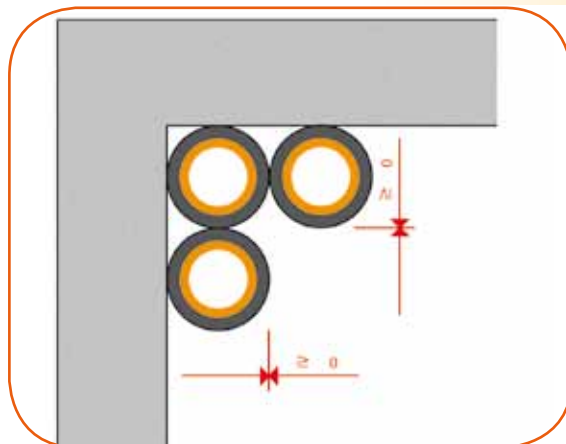
#### Ceiling

K-FLEX R90 for ceiling/floor applications.



#### Zero-distance

All the pipes can be installed with minimized distances.



## K-FLEX R90 fire protection | TUBE, black color, 1 m length

COPPER TUBE Cu		STEEL TUBE Fe		PLASTIC TUBE		Description	Product code	m/ Carton	€/m
O.D. mm	Nominal Diameter DN	O.D. mm	Nominal Diameter DN	O.D. mm	Thick.				
10					19	K-FLEX R90 - 19 x 010	19010214230	18	32,59
12	10				19	K-FLEX R90 - 19 x 012	19012214230	17	33,66
15	10	13,5	8		19	K-FLEX R90 - 19 x 015	19015214230	16	34,94
				16	20	K-FLEX R90 - 20 x 016	20016214230	14	37,83
18	15	17,2	10		20	K-FLEX R90 - 20 x 018	20018214230	13	38,73
				20	20	K-FLEX R90 - 20 x 020	20020214230	12	40,33
22	20	21,3	15		20	K-FLEX R90 - 20 x 022	20022214230	12	40,86
				25	20	K-FLEX R90 - 20 x 025	20025214230	11	45,77
28	25	26,9	20		25	K-FLEX R90 - 25 x 028	25028214230	9	49,57
				32	25	K-FLEX R90 - 25 x 032	25032214230	8	61,72
35	32	33,7	25		25	K-FLEX R90 - 25 x 035	25035214230	8	76,80
				40	25	K-FLEX R90 - 25 x 040	25040214230	6	86,41
42	40	42,4	32		25	K-FLEX R90 - 25 x 042	25042214230	6	90,49
		48,3	40		25	K-FLEX R90 - 25 x 048	25048214230	5	98,56
				50	25	K-FLEX R90 - 25 x 050	25054214230	5	99,94
54	50	54,0			25	K-FLEX R90 - 25 x 054	25054214230	5	104,42
		60,3	50		25	K-FLEX R90 - 25 x 060	25060214230	4	112,72
				63	25	K-FLEX R90 - 25 x 063	25064214230	4	117,68
76,1	65	76,1	68	75	25	K-FLEX R90 - 25 x 076	25076214230	4	131,20
88,9	80	88,9	80		25	K-FLEX R90 - 25 x 089	25089214230	4	146,70

## K-FLEX R90 fire protection | SHEET Black color

Dimensions	Description	Thickness, mm	Product code	m <sup>2</sup> /Carton	€/m <sup>2</sup>
2,00 x 0,5 m	K-FLEX R90 SHEET -13 mm	13	80013210530	6	120,85
2,00 x 0,5 m	K-FLEX R90 SHEET -19 mm	19	80019210530	4	178,74
2,00 x 0,5 m	K-FLEX R90 SHEET -25 mm	25	80025210530	3	229,61

### K-FLEX R90 TECHNICAL DATA

Temperature range	- 40° C to + 116° C
Thermal conductivity $\lambda$ W/(m·K)	0 ° C = 0,050 40 ° C = 0,056
Water vapor diffusion $\mu$	$\mu \geq 10,000$
Fire behavior	DIN 4102-B2
Fire resistant	up to R-90



**L'ISOLANTE K-FLEX**

Via Don Locatelli, 35 - 20040 Roncello (MI) Italy  
tel.: +39.039.68241 - fax: +39.039.6824560  
e-mail: international@isolante.com  
[www.kflex.com](http://www.kflex.com)

K-FLEX R90 Fire protection